

中国·江苏

WOLFFLY JAF

关节轴承推介册

Spherical Plain Bearing

【前言】 Foreword

当我提笔写这份前言的时候，思潮澎湃，心情激动。我想，这是非常好的一个和客户沟通的机会，让您了解我们。为此，我在介绍企业的同时，也激动的表达着我们的心声和对顾客承诺。

作为专业的高可靠性、高耐用性轴承制造商，我们专注于为内燃机、工程机械、农机、油缸、变速箱、变矩器、电机、减速机、电梯、举升和输送设备、食品和包装机械等行业提供高品质的轴承，我们针对于这些工况中高温、高转速、冲击力大、离心负载大、大扭矩、大载荷的应用特点，我们进行了针对性的特殊设计和特殊的生产工艺，让我们的轴承在使用中比其他厂家的轴承更可靠、更耐用。

“质量”是企业生存和发展的核心竞争要素。在质量保证方面，我们不仅通过完整的质量保证体系，从头到尾对产品整个制造过程给予严格的过程控制，确保高度稳定的过程能力，而且，所有产品 100%都要进行检验测试合格，方可提供给客户使用，以确保“零”缺陷，“零”故障反馈。

我们目前已经和上述应用领域中的龙头企业进行长期、批量的配套供货，这些客户都对我们产品质量的可靠性和稳定性给予了高度肯定的评价。

“专注铸就成功”作为沃尔夫的经营理念，已深入到团队的每位成员思想和行为里。围绕这样的理念，“追根到底，专注做好每一件事”也成为了全体员工的行事准则。

我们的宗旨就是：长期持续地为客户提供高品质的产品和快捷周到的服务，让其充分满意；同时，也为我们的员工提供更好的福利和更广阔的事业舞台。为此，我们会为履行这一宗旨而付出最大的努力。

董事长：肖涛

I was excited and my thoughts surging when I wrote down the forewords, this is a good opportunity to make you know about us. Moreover, I also express our aspirations and commitments.

WOLFLY as the professional high reliability and high durability bearings manufacturer, we focus on supplying top quality products for Combustion Engine, Engineering Machinery, Agricultural Machinery, Hydraulic Cylinder, Gearbox, Torque Converter, Electrical Machine, Reduction Gears, Elevator, Lift and Conveying Equipment, Food and Packaging Machinery. On the basis of working condition of high temperature, high rotation speed, large impact, centrifugal loads, heavy loading, we implement special design and manufacture technique to insure the bearing more reliable and durable.

QUALITY is the core-competence of the existence and development, our factory approved by the integrated quality management system, strictly control goes through the manufacturing to make sure high stability process, and also all the products tested to guarantee imperfection and fault feedback.

Currently we have established a long-term bulk supply relationship with the above application fields leading enterprise. They speak highly of our products with its reliability and stability quality.

CONCENTRATION MAKES SUCCESS as our management principle has penetrated into thoughts and behaviors of us, putting our mind to do everything is the standard of our behaviors.

We aim to supplying high quality products and quick thoughtful services continuously, and providing better welfare and wider career stage for employees. For this purpose, we'll make great efforts to carry out our goals.

Chairman : Mr. Teller





产品展示

Product Exhibition



制造

Manufacture



车间一角
Workshop Corner



数控车床生产线
CNC Lathe Production Line



数控磨床
CNC Grinding Machine



数控车床
CNC Lathe



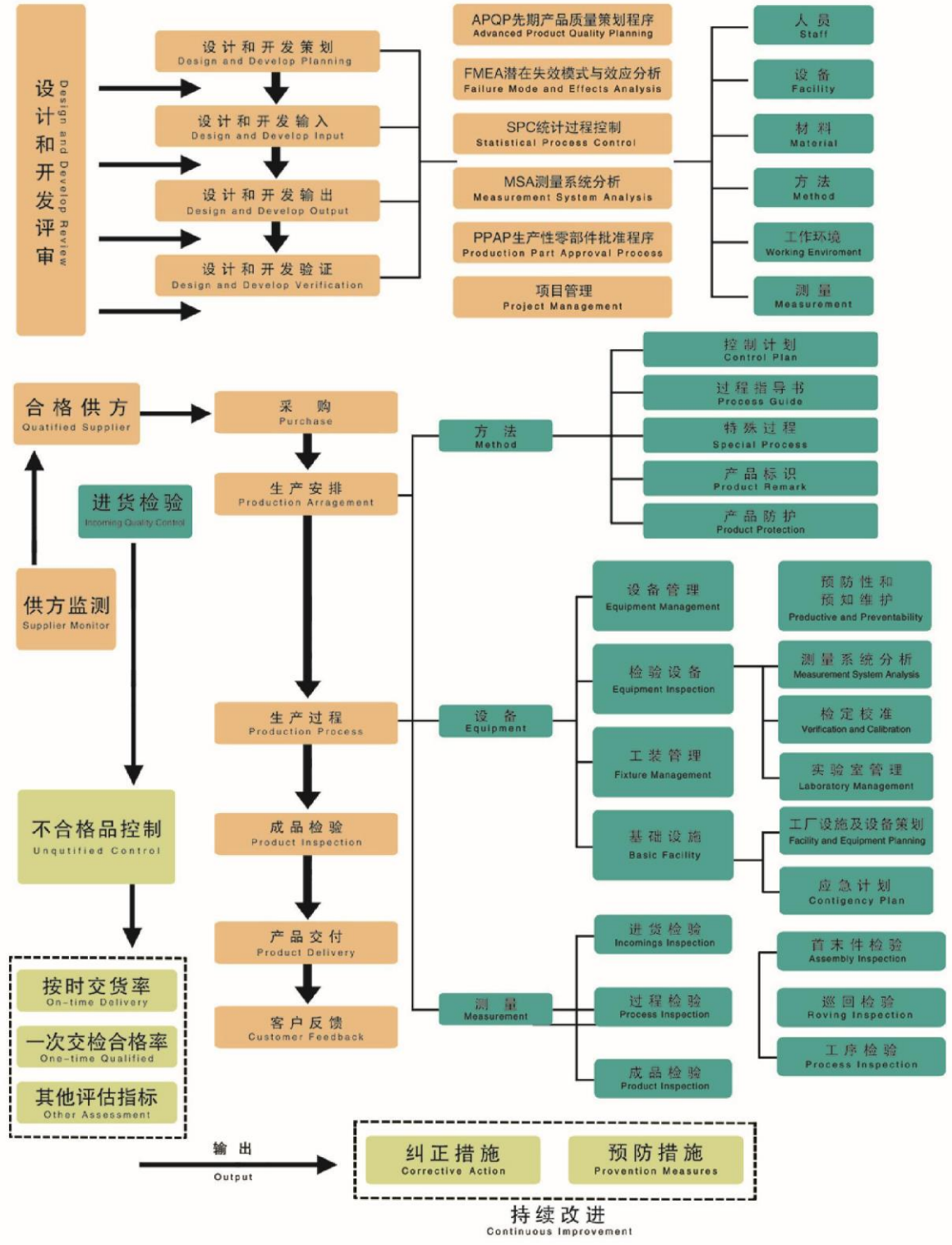
智能元素分析仪
Smart Element Analyzer

碳硫联分析仪
Carbon Sulfur Measurement Analyzer

圆度分析仪
Roundness Analyzer

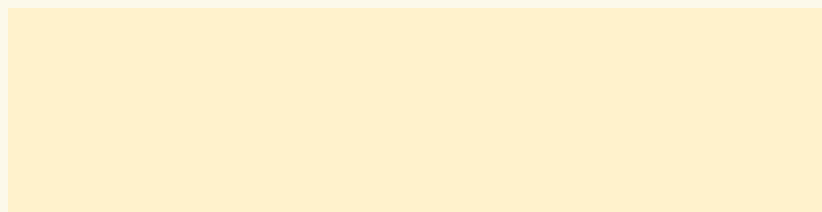
质量管理体系

Quality Control System



客户评价

Customer Evaluation



应用领域 Application Fields

叉车油缸 Forklift Hydraulic Cylinder

装载机油缸 Mechanical Loader Hydraulic Cylinder

挖掘机油缸 Digger Hydraulic Cylinder

船用油缸 Marine Hydraulic Cylinder

特种车辆油缸 Special Vehicle Hydraulic Cylinder

其他各种油缸 Other Hydraulic Cylinder



Professional 专业的



公司的质量管理过程严格执行ISO9001国际质量管理体系

The company's quality management process strictly enforce the ISO9001 international quality management system

我司部分应用客户:
Some Application Customers



日本小松集团
Komatsu Group



韩国现代重工
Hyundai Heavy Industries



海斯特叉车
HYSTER Forklift



合力叉车
HELI Forklift



山推股份
ShanTui Group



徐工集团
XuGong Group



柳工
LiuGong

敬业 专注 高效
Dedicated Absorption Efficiency

产品范围 /Product Range

结构 /Structure	系列 /Series	尺寸范围 Size Range mm/inch	滑动接触表面 Sliding Contact Surface	是否可补 充润滑剂 whether can be added lubricant	设计特点 /Design Feature	页码/Page NO.
	GE ... ES. 2RS	20-160	钢/钢 Steel/Steel	是 Yes	同GE...ES一样的向心关节轴承， 但带有密封圈。 The same as GE...ES, but with a seal	P9
	GE ... ES GEZ...	GE ... ES GEZ...	钢/钢 Steel/Steel 钢/钢 Steel/Steel	是 Yes 是 Yes	有补充润滑功能、外圈单缝。 GEZ系列是英制尺寸。 With additional lubrication, outer ring of single slit. GEZ series is in inch size.	P9-P10
	GE ... LO	12-125	钢/钢 Steel/Steel	是 Yes	宽内圈关节轴承，外圈单缝， 内圈淬硬。 Extended inner ring, outer ring of single slit, inner ring hardening.	P11
	GE ... H0. 2RS	17-80	钢/钢 Steel/Steel	是 Yes	宽内圈、外圈单缝，两边带有 密封圈。 Extended inner ring, outer ring of single slit, both side with a seal.	P11
	GE ... F0	6-140	钢/钢 Steel/Steel	是 Yes	重系列向心关节轴承，内圈淬 硬，外圈单缝。 Heavy series, inner ring hardening, outer ring of single slit	P12
	GE ... F0. 2RS	15-140	钢/钢 Steel/Steel	是 Yes	重系列带密封圈向心关节轴承 ，内圈淬硬，外圈单缝。 Heavy series with a seal, inner ring hardening, outer ring of single slit.	P12
	自润滑关节轴承 GE ... UK	6-30	钢/PTFE Steel/PTFE	否 No	外圈复合PEFE自润滑材料，挤 压外圈。 Outer ring compound PEFE self-lubricating, squeeze outer ring.	P13
	GE ... UK. 2RS	17-160	钢/PTFE (PTFE编织物) Steel/PTFE	否 No	单缝外圈，采用PTFE编织物。 Single fractured outer ring, using PTFE braided fabric.	P13
	GE ... FW	6-25	钢/PTFE Steel/PTFE	否 No	重系列PTFE自润滑材料，与G...UK系列 具有相同设计特色的向心关节轴承，不同 之处是有较宽的内圈和较大的倾斜角α， 挤压外圈。 Heavy series with PTFE self-lubricating, with the same design features, the difference is with wide inner ring and a larger slope Angle.	P14
	GE ... FW. 2RS	30-140	钢/PTFE (PTFE编织物) Steel/PTFE	否 No	与GE...UK-2RS系列具有相同设计特色 的向心关节轴承，不同之处是有较宽的内 圈，和较大的倾斜角α.重系列，单缝外圈， 采用PTFE编织物。 Compared to GE...UK-2RS series, with the same design features, the difference is with wide inner ring and a larger slope Angle.Heavy series, Single fractured outer ring, using PTFE braided fabric.	P14

关节轴承游隙 /Bearing Clearance

系列 /Series	内径d (mm)		径向游隙CN (μm)	
	超过/over	到/to	最小/Min	最大/Max
GE...ES, L0, F0		12	32	68
GE...ES-2RS, H0-2RS	12	20	40	82
GE...F0-2RS	20	35	50	100
GEZ	35	60	60	120
COM	60	90	72	142
	90	140	85	165
	140	160	100	192
GE...UK		12	—	28
	12	17	—	35
	17	20	—	35
	20	30	—	44
GE...UK-2RS	17	20	—	40
	20	30	—	50
	30	35	—	50
	35	40	—	60
	40	45	—	60
	45	50	—	60
	50	60	—	60
	60	70	—	72
	70	90	—	72
	90	140	85	165
140	160	100	192	

对特殊应用的向心关节轴承和液压缸耳环可制造 C2 组的径向游隙(游隙比上表中给出的小)和 C3 组游隙(比上表中给出的大)。

对于 GE...F0 和 GE...F0-2RS 系列应选择上表中内径段大一级的游隙。

About the specific application series C2 which radial clearance must be smaller and C3 must be larger

For GE...F0 and GE...F0-2RS series above should choose larger clearance

公差 /Bearing Clearance

内圈内径

向心关节轴承和液压缸耳环的内孔公差等级为 H7, 我们推荐轴的配合公差为 g6, 对 E 系列的向心关节轴承和液压缸耳环, 公差见下表。我们推荐的轴的配合公差为 g7。

Tolerance

The grade of tolerance spherical plain bearing and hydraulic cylinder ear-rings is H7, and ours is g6, For E series, tolerance reference in the form below:

内径 Φ 5-18mm	0/-8 μm
内径 Φ 20-30mm	0/-10 μm
内径 Φ 35-50mm	0/-12 μm
内径 Φ 60-80mm	0/-15 μm

关节轴承的外径

关节轴承的外径被制造成 h6 公差, 对轴承座我们推荐 J7 配合公差。

E 系列关节轴承的外径被制造成 h5 公差, 对轴承座我们推荐 JS7 配合公差。

outer diameter of spherical plain bearing

The outer diameter of spherical plain bearing was manufactured in tolerance h6, we recommend J7 fit tolerance to bearing seat. And for E Series its outer diameter was manufactured in tolerance h5, we recommend JS7 fit tolerance to bearing seat.

螺纹

公制螺纹采用公差等级为外螺纹 6 级, 内螺纹 7 级, 符合 ISO 标准。

Thread

The tolerance level for external thread is level 6 and internal thread is level 7 in metric thread, which is in accordance with ISO standards.

润滑

自润滑向心关节轴承和液压缸耳环无需润滑，自润滑 PTFE 材料有自润滑性能。

对滑动接触表面为钢 / 青铜，钢 / 黄铜和钢 / 钢的需保持良好的润滑。补充润滑剂的时间间隔取决于环境和油脂性能。

对滑动接触表面为钢 / 青铜，钢 / 黄铜的补充润滑，我们推荐一种在高温时仍保持稳定，高熔点的润滑脂。

对滑动接触表面为钢 / 钢的 E 系列轴承（二硫化钼处理过的轴承）我们推荐一种二硫化钼锂基脂，需润滑的关节轴承可通过油嘴进行润滑。

Lubrication

No lubricating needed for spherical plain bearing and hydraulic cylinder earrings, PTFE itself with lubrication.

There must be excellent lubricity for the sliding contact surface in steel/bronze, steel/brass and steel/steel. The interval add lubricant depends on environment and grease performance.

A dystectic grease and remain stable at high temperature was recommended for the sliding contact surface in steel/bronze, steel/brass.

温度范围

WOLFFLY 向心关节轴承和液压缸耳环可在下表列出的温度范围内正常运转

Temperature Range

Our spherical plain bearing and hydraulic cylinder earrings can be operated normally at the temperature range listed in the table below:

接触表面 /Contact Surface	温度范围 /Temperature Range
铜/铜 /Copper/Copper	-50° ~ +230°
钢/PTFE /Steel/PTFE	-30° ~ +150°
钢/钢 /Steel/Steel	-50° ~ 200°

轴承基本额定载荷

轴承的基本额定载荷，是重要的技术指标，它取决于所用材料的性能。它们供在某一特定载荷下选取向心关节轴承时使用，当在不同情况下轴承运转，基本额定载荷会有所减小。

Basic Loading Rate of Bearings

The basic loading rate of bearings is an important technical index, it depends on the performance of using materials. To choose spherical plain bearing under a specific loading, when running in different cases, the loading rate will be reduced.

基本额定静载荷 C_{0r}

C_{0r} 指在关节轴承在无塑性变形情况下，最弱截面所能承受的最大允许静载荷。在样本中 C_{0r} 值是通过合适的材料计算和一定数量的关节轴承在同一温度环境下进行张力测试得出的。以上测试中，屈服力只占其中的 80%，所以基本额定静载荷包含一个 1.25 的安全系数。

基本额定载荷也用于建立最大轴向载荷，它受限于内部固紧方式产生的附加弯曲应力。最大轴向载荷是在最大倾斜角时压力测试得出的。

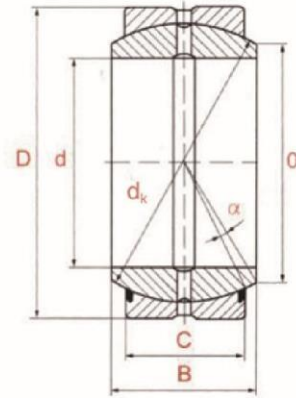
Basic Rated Static Load

C_{0r} is the weakest section of maximum permissible under the condition of no plastic deformation. The value in the sample is by suitable material calculation and a certain number of joint bearing under the environment of same temperature tension tests.

$$F_a = F_r = a \cdot C_{0r} \quad (\text{kN})$$

$a=0, 3$

GE...E (GE...DO)
GE...ES (GE...DO)
GE...ES.2RS (GE...DO.2RS) 系列



滑动接触表面： 钢/钢

Sliding Contact Surface: Steel/Steel

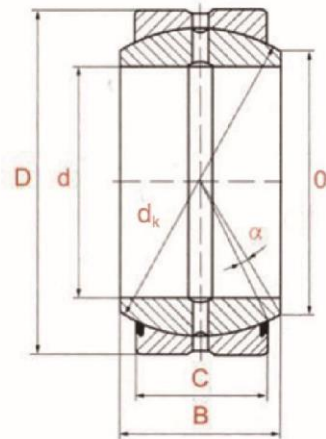
型号 / Bearing No.	尺寸 Size mm						基本额定荷载-N Basic Rated Loading		角度 Angle ≈	重量kg Weight
	带密封圈 With Seal	d	D	B	C	d _s	动荷载C _r	静荷载C _{0r}		
GE 6 E(1)		6	14	6	4	10	3.40	17.0	13	0.004
GE 8 E(1)		8	16	8	5	13	5.50	27.5	15	0.007
GE 10 E(1)		10	19	9	6	16	8.15	40.5	12	0.011
GE 12 E(1)		12	22	10	7	18	10.8	54	10	0.016
GE 15 ES		15	26	12	9	22	17	85	8	0.025
GE 17 ES		17	30	14	10	25	21.2	106	10	0.041
GE 20 ES	GE 20 ES-2RS	20	35	16	12	29	30	146	9	0.061
GE 25 ES	GE 25 ES-2RS	25	42	20	16	35	48	240	7	0.110
GE 30 ES	GE 30 ES-2RS	30	47	22	18	40	62	310	6	0.140
GE 35 ES	GE 35 ES-2RS	35	55	25	20	47	80	400	6	0.220
GE 40 ES	GE 40 ES-2RS	40	62	28	22	53	100	500	7	0.300
GE 45 ES	GE 45 ES-2RS	45	68	32	25	60	127	640	7	0.400
GE 50 ES	GE 50 ES-2RS	50	75	35	28	66	156	780	6	0.540
GE 60 ES	GE 60 ES-2RS	60	90	44	36	80	245	1220	6	1.000
GE 70 ES	GE 70 ES-2RS	70	105	49	40	92	315	1560	6	1.500
GE 80 ES	GE 80 ES-2RS	80	120	55	45	105	400	2000	6	2.200
GE 90 ES	GE 90 ES-2RS	90	130	60	50	115	490	2450	5	2.700
GE 100 ES	GE 100 ES-2RS	100	150	70	55	130	610	3050	7	4.300
GE 110 ES	GE 110 ES-2RS	110	160	70	55	140	655	3250	6	4.700
GE 120 ES	GE 120 ES-2RS	120	180	85	70	160	950	4750	6	8.000
GE 140 ES	GE 140 ES-2RS	140	210	90	70	180	1080	5400	7	11.000
GE 160 ES	GE 160 ES-2RS	160	230	105	80	200	1370	6800	8	13.500

(1) 不可补充润滑剂 / can not be added lubricant

英制尺寸单缝外圈向心关节轴承 Inch Series Single Fractured Outer Ring Radial SPB

GEZ 系列
Series

GEZ: 钢/钢 (同GE..ES系列)
Steel/Steel (the same as GE..ES)



GEZ

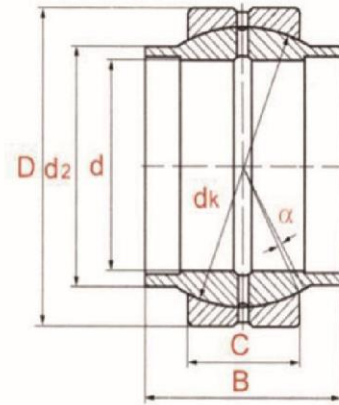
型号 Bearing No.	尺寸/Size inch								基本额定 静载荷 C_0 Basic Rated Static Load	重量 Weight
	d	D	C	B	O	M	d_k	角度/Angle		
GEZ12ES	0.5000	0.8750	0.375	0.427	0.551	0.032	0.709	6.0	9,330	0.044
GEZ15ES	0.6250	1.0625	0.469	0.547	0.703	0.040	0.906	6.0	14,726	0.079
GEZ19ES	0.7500	1.2500	0.562	0.656	0.844	0.040	1.083	6.0	21,358	0.126
GEZ22ES	0.8750	1.4375	0.656	0.765	0.974	0.040	1.260	6.0	28,552	0.193
GEZ25ES	1.0000	1.6250	0.750	0.875	1.103	0.040	1.417	6.0	37,320	0.276
GEZ31ES	1.2500	2.0000	0.937	1.093	1.382	0.040	1.772	6.0	58,453	0.516
GEZ34ES	1.3750	2.1875	1.031	1.187	1.516	0.040	1.929	6.0	69,694	0.770
GEZ38ES	1.5000	2.4375	1.125	1.312	1.703	0.040	2.165	6.0	84,308	0.934
GEZ44ES	1.7500	2.8125	1.312	1.531	1.984	0.040	2.520	6.0	114,658	1.430
GEZ50ES	2.0000	3.1875	1.500	1.750	2.266	0.048	2.874	6.0	150,629	2.070
GEZ63ES	2.5000	3.9375	1.875	2.187	2.833	0.048	3.583	6.0	236,061	4.090
GEZ69ES	2.7500	4.3750	2.062	2.406	3.110	0.048	3.937	6.0	281,025	5.380
GEZ76ES	3.0000	4.7500	2.250	2.625	3.406	0.048	4.331	6.0	337,230	6.870

1磅 = 4.45N = 0.454kg. 1 inch(英寸) = 25.4mm(毫米)

宽内圈单缝外圈向心关节轴承 Extend Inner Race Radial SPB

滑动接触表面: 钢/钢

Sliding Contact Surface: Steel/Steel



GE...LO(GEEW...ES)系列 /Series

型号 Bearing No.	尺寸/Size mm						基本额定载荷 Basic Rated Loading		角度 Angle ≈	重量 Weight kg
	d	D	B	C	dk	d ₂	动载荷C _r	静载荷C _{0r}		
GE12LO	12	22	12	7	18	15.5	10.8	54	4	0.020
GE16LO	16	28	16	9	23	20	17.6	88	4	0.030
GE20LO	20	35	20	12	29	25	30	146	4	0.070
GE25LO	25	42	25	16	35	30.5	48	240	4	0.120
GE30LO	30	47	30	18	40	34	62	310	4	0.168
GE32LO	32	52	32	18	44	38	67	335	4	0.200
GE35LO	35	55	35	20	47	40	79	399	4	0.253
GE40LO	40	62	40	22	53	46	100	500	4	0.340
GE50LO	50	75	50	28	66	57	156	780	4	0.560
GE63LO	63	95	63	36	83	71.5	255	1270	4	1.200
GE70LO	70	105	70	40	92	79	315	1560	4	1.700
GE80LO	80	120	80	45	105	91	400	2000	4	2.400
GE90LO	90	130	90	50	115	99	490	2450	4	3.200
GE100LO	100	150	100	55	130	113	610	3050	4	4.800
GE110LO	110	160	110	55	140	124	655	3250	4	5.800
GE125LO	125	180	125	70	160	138	950	4750	4	8.500

GE...HO.2RS(GEEM...ES.2RS)系列 /Series

型号 Model	尺寸/Size mm						基本额定载荷 Basic Rated Loading		角度 Angle ≈	重量 Weight kg
	d	D	B	C	dk	d ₂	动载荷C _r	静载荷C _{0r}		
GE17HO-2RS	17	30	21	10	25	21	21.2	106	3	0.040
GE20HO-2RS	20	35	24	12	29	24	30	146	3	0.057
GE25HO-2RS	25	42	29	16	35	29	48	240	3	0.100
GE30HO-2RS	30	47	30	18	40	34.2	62	310	3	0.140
GE35HO-2RS	35	55	35	20	47	40	80	400	3	0.240
GE40HO-2RS	40	62	38	22	53	45	100	500	3	0.290
GE45HO-2RS	45	68	40	25	60	51.5	127	640	3	0.430
GE50HO-2RS	50	75	43	28	66	56.5	156	780	3	0.540
GE60HO-2RS	60	90	54	36	80	67.7	245	1220	3	1.100
GE70HO-2RS	70	105	65	40	92	78	315	1560	3	1.600
GE80HO-2RS	80	120	74	45	105	90	400	2000	3	2.400

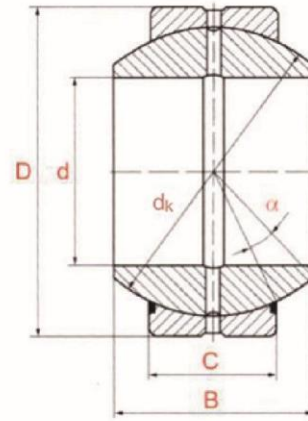
重型系列单缝外圈向心关节轴承 Heavy Series Radial SPB

GE...FO

(GEH...ES或GE...GS)

GE...FO.2RS

(GEH...ES.2RS或GE...GS.2RS)系列



GE...FO

滑动接触表面：钢/钢

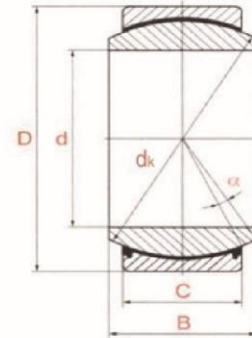
Sliding Contact Surface: Steel/Steel

型号/Bearing No.		尺寸/Size mm					基本额定载荷kN Basic Rated Loading		角度 Angle ≈	重量kg Weight
	带密封圈	d	D	B	C	dk	动载荷C _r	静载荷C _{0r}		
GE6FO (1)		6	16	9	5	13	5.50	27.5	21	0.008
GE8FO (1)		8	19	11	6	16	8.15	40.5	21	0.014
GE10FO (1)		10	22	12	7	18	10.80	54	18	0.020
GE12FO (1)		12	26	15	9	22	17	85	18	0.034
GE15FO	GE15FO-2RS	15	30	16	10	25	21.2	106	16	0.046
GE17FO	GE17FO-2RS	17	35	20	12	29	30	146	19	0.078
GE20FO	GE20FO-2RS	20	42	25	16	35	48	240	17	0.150
GE25FO	GE25FO-2RS	25	47	28	18	40	62	310	17	0.190
GE30FO	GE30FO-2RS	30	55	32	20	47	80	400	17	0.290
GE35FO	GE35FO-2RS	35	62	35	22	53	100	500	16	0.390
GE40FO	GE40FO-2RS	40	68	40	25	60	127	640	17	0.520
GE45FO	GE45FO-2RS	45	75	43	28	66	156	780	15	0.680
GE50FO	GE50FO-2RS	50	90	56	36	80	245	1220	17	1.400
GE60FO	GE60FO-2RS	60	105	63	40	92	315	1560	17	2.000
GE70FO	GE70FO-2RS	70	120	70	45	105	400	2000	16	2.900
GE80FO	GE80FO-2RS	80	130	75	50	115	490	2450	14	3.500
GE90FO	GE90FO-2RS	90	150	85	55	130	610	3050	15	5.400
GE100FO	GE100FO-2RS	100	160	85	55	140	655	3250	14	5.900
GE110FO	GE110FO-2RS	110	180	100	70	160	950	4750	12	9.700
GE120FO	GE120FO-2RS	120	210	115	70	180	1080	5400	16	15.000
GE140FO	GE140FO-2RS	140	230	130	80	200	1370	6800	16	18.500

(1) 不可补充润滑剂 /can not be added lubricant

滑动接触表面：钢/（PTFE编织物）

Sliding Contact Surface: Steel/PTFE



GE...UK(GE...C或GE...EC)系列

型号 Bearing No.	尺寸/Size mm					基本额定载荷kN Basic Rated Loading		角度 Angle ≈	重量 Weight kg
	d	D	B	C	dk	动载荷Cr	静载荷Co		
GE6UK	6	14	6	4	10	3.60	9	13	0.004
GE8UK	8	16	8	5	13	5.85	14.6	15	0.007
GE10UK	10	19	9	6	16	8.65	21.6	12	0.011
GE12UK	12	22	10	7	18	11.40	28.5	10	0.016
GE15UK	15	26	12	9	22	17.60	44	8	0.025
GE17UK	17	30	14	10	25	22.40	56	10	0.038
GE20UK	20	35	16	12	29	31.50	78	9	0.061
GE25UK	25	42	20	16	35	51	127	7	0.110
GE30UK	30	47	22	18	40	65.50	166	6	0.140

GE...UK.2RS(GE...TE.2RS或GE...EC.2RS)系列

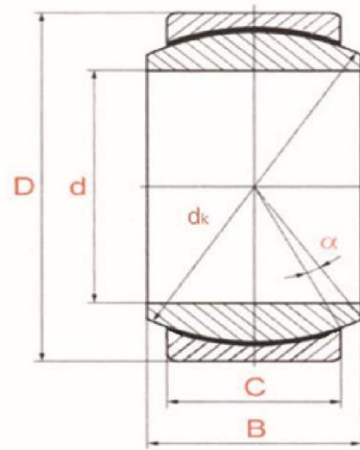
型号 Bearing No.	尺寸/Size mm					基本额定载荷kN Basic Rated Loading		角度 Angle ≈	重量 Weight kg
	d	D	B	C	dk	动载荷Cr	静载荷Co		
GE17UK-2RS	17	30	14	10	25	30	60	10	0.038
GE20UK-2RS	20	35	16	12	29	41.5	83	9	0.061
GE25UK-2RS	25	42	20	16	35	68	137	7	0.110
GE30UK-2RS	30	47	22	18	40	88	176	6	0.140
GE35UK-2RS	35	55	25	20	47	112	224	6	0.220
GE40UK-2RS	40	62	28	22	53	140	280	7	0.300
GE45UK-2RS	45	68	32	25	60	180	360	7	0.400
GE50UK-2RS	50	75	35	28	66	220	440	6	0.540
GE60UK-2RS	60	90	44	36	80	345	695	6	1.000
GE70UK-2RS	70	105	49	40	92	440	880	6	1.500
GE80UK-2RS	80	120	55	45	105	570	1140	6	2.200
GE90UK-2RS	90	130	60	50	115	695	1370	5	2.700
GE100UK-2RS	100	150	70	55	130	865	1730	7	4.300
GE110UK-2RS	110	160	70	55	140	930	1860	6	4.700
GE120UK-2RS	120	180	85	70	160	1340	2700	6	8.000
GE140UK-2RS	140	210	90	70	180	1500	3000	7	11.000
GE160UK-2RS	160	230	105	80	200	1930	3800	8	13.500

GE...FW(GEH...C)

GE...FW.2RS (GEH...C.2RS)系列

滑动接触表面：钢/（PTFE编织物）

Sliding Contact Surface: Steel/PTFE



GE...FW

型号/Bearing No.		尺寸/Size mm					基本额定载荷kN Basic Rated Loading		角度 Angle ≈	重量kg Weight
	带密封圈/With Seal	d	D	B	C	dk	动载荷C _r	静载荷C _{0r}		
GE6FW		6	16	9	5	13	5.85	14.6	21	0.008
GE8FW		8	19	11	6	16	8.65	21.6	21	0.014
GE10FW		10	22	12	7	18	11.40	28.5	18	0.020
GE12FW		12	26	15	9	22	17.60	44	18	0.034
GE15FW		15	30	16	10	25	22.40	56	16	0.046
GE17FW		17	35	20	12	29	31.50	78	19	0.078
GE20FW		20	42	25	16	35	51.00	127	17	0.150
GE25FW		25	47	28	18	40	65.50	166	17	0.190
	GE30FW-2RS	30	55	32	20	47	112	224	17	0.290
	GE35FW-2RS	35	62	35	22	53	140	280	16	0.390
	GE40FW-2RS	40	68	40	25	60	180	360	17	0.520
	GE45FW-2RS	45	75	43	28	66	220	440	15	0.680
	GE50FW-2RS	50	90	56	36	80	345	695	17	1.400
	GE60FW-2RS	60	105	63	40	92	440	880	17	2.000
	GE70FW-2RS	70	120	70	45	105	570	1140	16	2.900
	GE80FW-2RS	80	130	75	50	115	695	1370	14	3.500
	GE90FW-2RS	90	150	85	55	130	865	1730	15	5.400
	GE100FW-2RS	100	160	85	55	140	930	1860	14	5.900
	GE110FW-2RS	110	180	100	70	160	1340	2700	12	9.700
	GE120FW-2RS	120	210	115	70	180	1500	3000	12	15.000
	GE140FW-2RS	140	230	130	80	200	1930	3800	16	18.500

镇江沃尔夫重工部件有限公司轴承工厂 (WOLFFLY · BEARING)

地址: 江苏省镇江市丹徒新区工业园恒园路78号/NO.78 Hengyuan Road, Dantu New Industry Zone, Zhenjiang, China

Tel: (外销部/oversea calls)86-511-85589989

(内销部/domestic calls) 0511-85589993

Mob:0086-18952858888

Fax:86-511-85589997/85589986

网址/Web:www.wolffly-jaf.com

E-mail: (外销部/oversea sales) wolf-66@wolffly-jaf.com

邮编/Code:212028

(内销部/domestic sales) wolf-68@wolffly-jaf.com